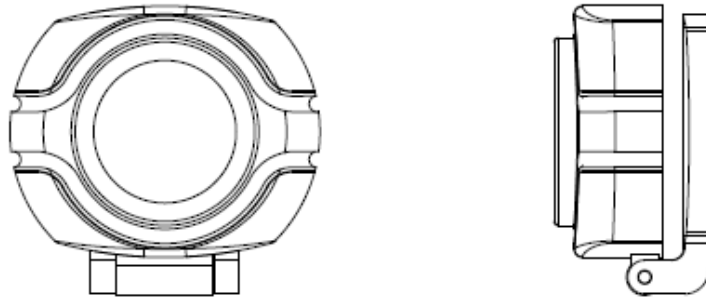


GP Batteries

Product Specifications

Model no.: CH31



Product Name	: Multiuse Compact Headlamp
Lumen output*	: 40lm / 12lm (+/- 15%)
Beam Distance*	: Max 8m (+/- 15%)
Runtime	: 40lm: 6 hours / 12lm: 6 hours
Battery type	: 2 x CR2025
LED chip	: Patented LED
IP rate*	: --
Shock proof*	: Impact resistant, 1m
Dimensions	: 38 x 36 x 20 mm
Weight	: 25.1 g (without batteries), 30 g (with batteries)
Accessories Included	: 2 x CR2025 (Pre-installed)
Certification	: CE, ROHS

